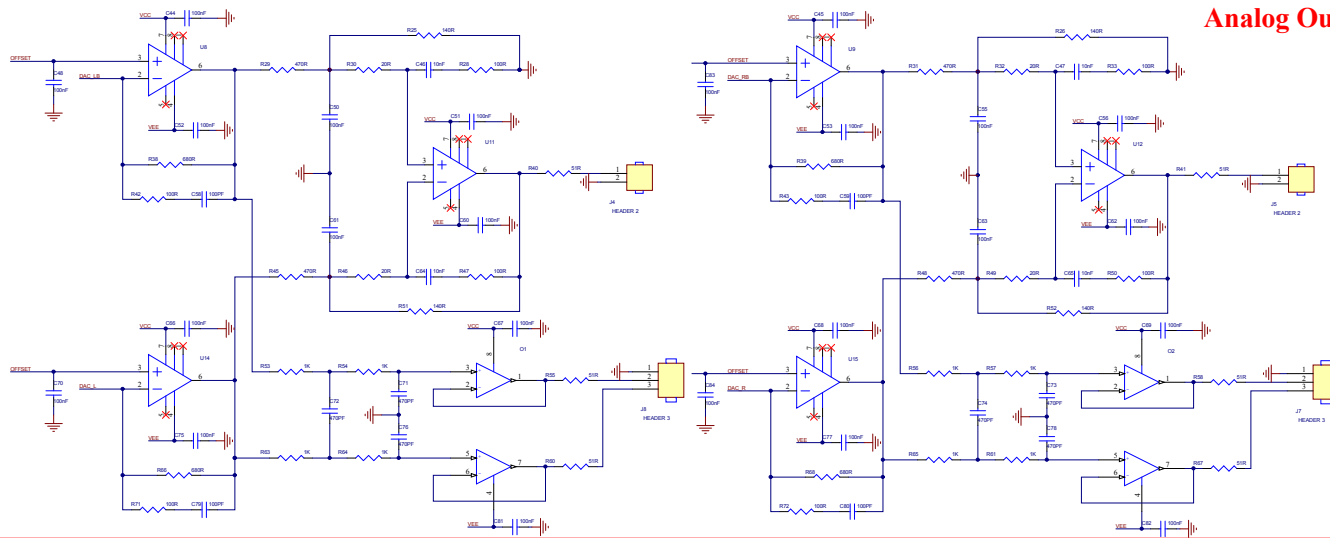
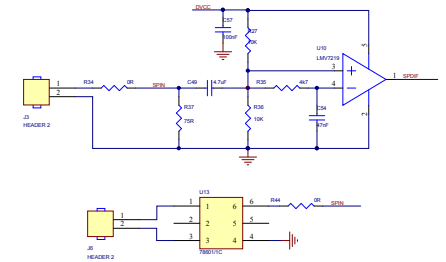


Analog Output

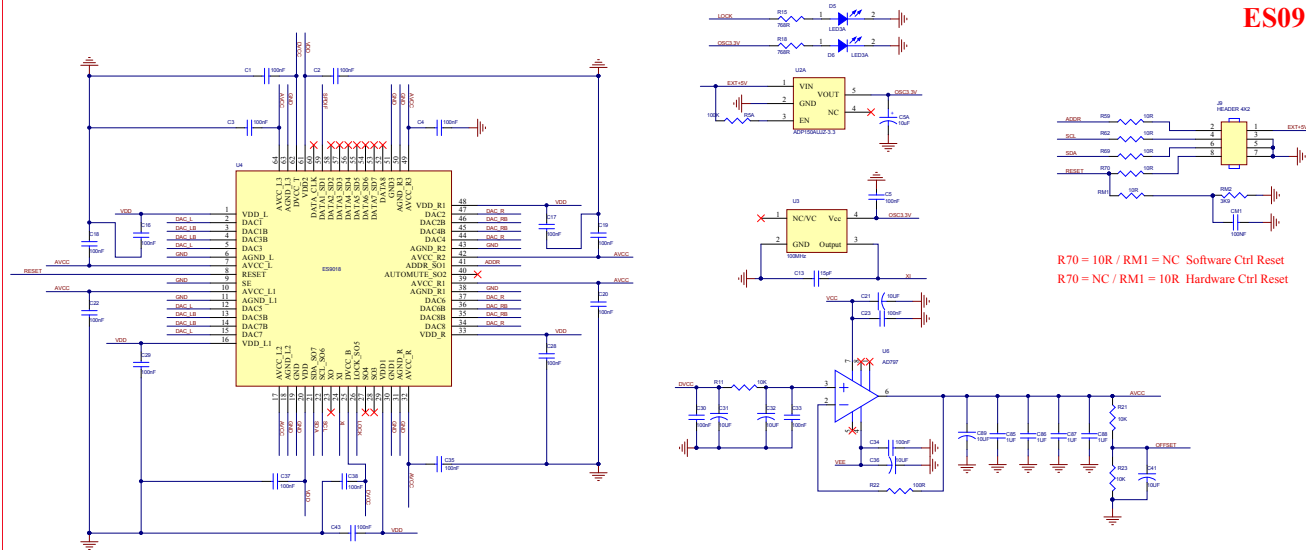


Digital Input



R34 = 0R / R44 = NC Standard S/PDIF Input  
 R34 = NC / R44 = 0R Isolation S/PDIF Input

ES0918 Stage



R70 = 10R / RM1 = NC Software Ctrl Reset  
 R70 = NC / RM1 = 10R Hardware Ctrl Reset

2nd Regulator

